

Business Mission for Premere AB

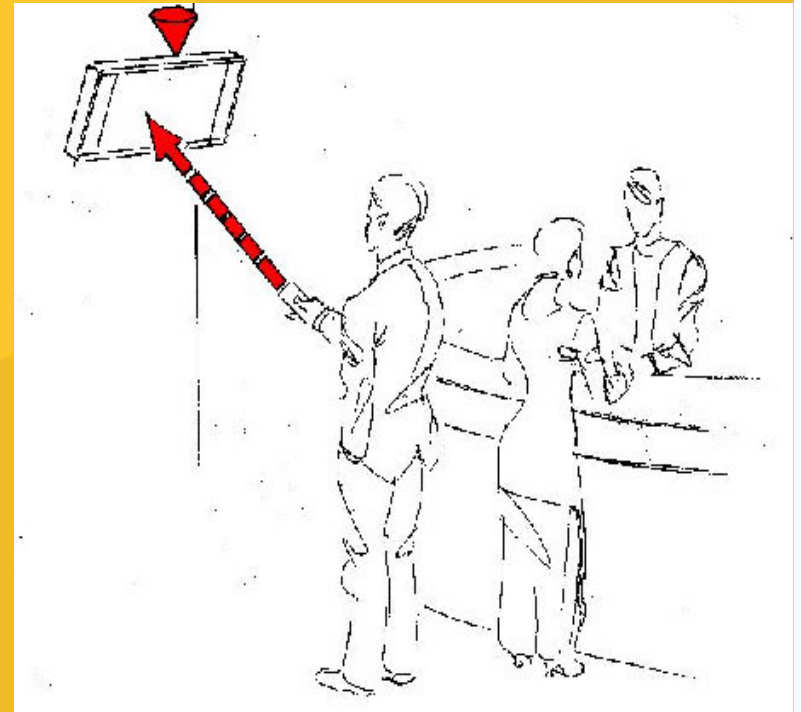
“The Business Mission for Premere AB is to develop and market the Klikker system, an intuitive user interface solution for information dialogue in public places.”

Premere AB

- Founded Feb 2002 by Bengtsson and Manhem
- Located at Ideon Research Village in Lund
- Klikker patented Technology
- Klikker developed since jan 2001
- 5 people today

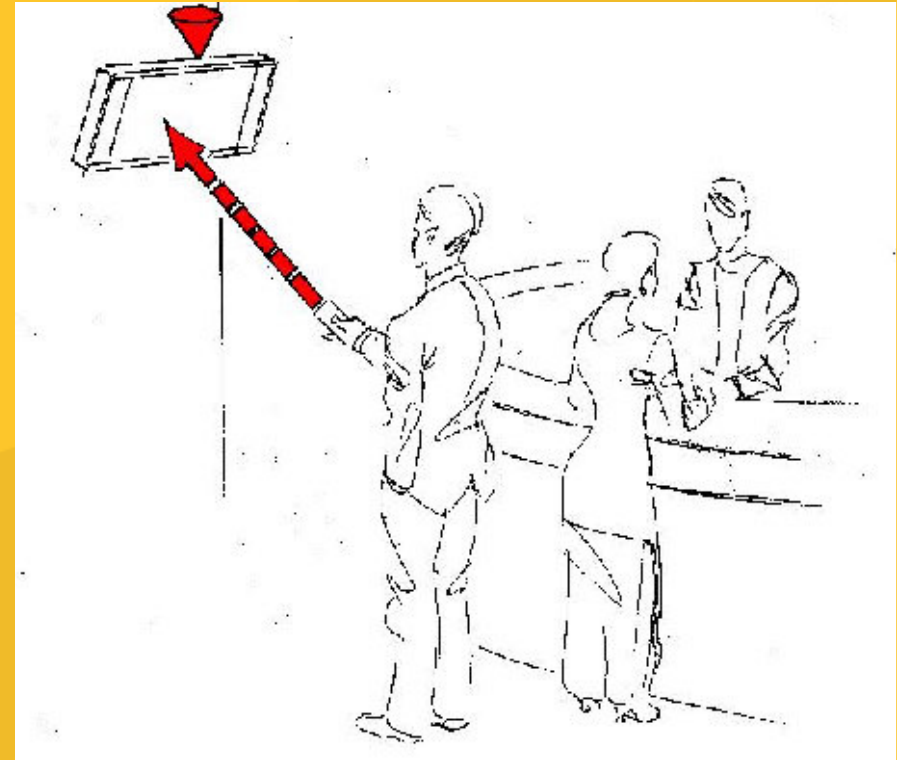
Security Klikker:

- **Low cost remote key**
- **30 billion unique Sequences**
- **Can communicate with system**
 - **One klick - step**
 - **Double klick - confirm**



Security Klikker:

- **Directed towards target**
- **4 meter reach**
- **10 degree angle**
- **Small and light**
- **One key only – easy to use**



One-click, easy to use

Security Klikker:

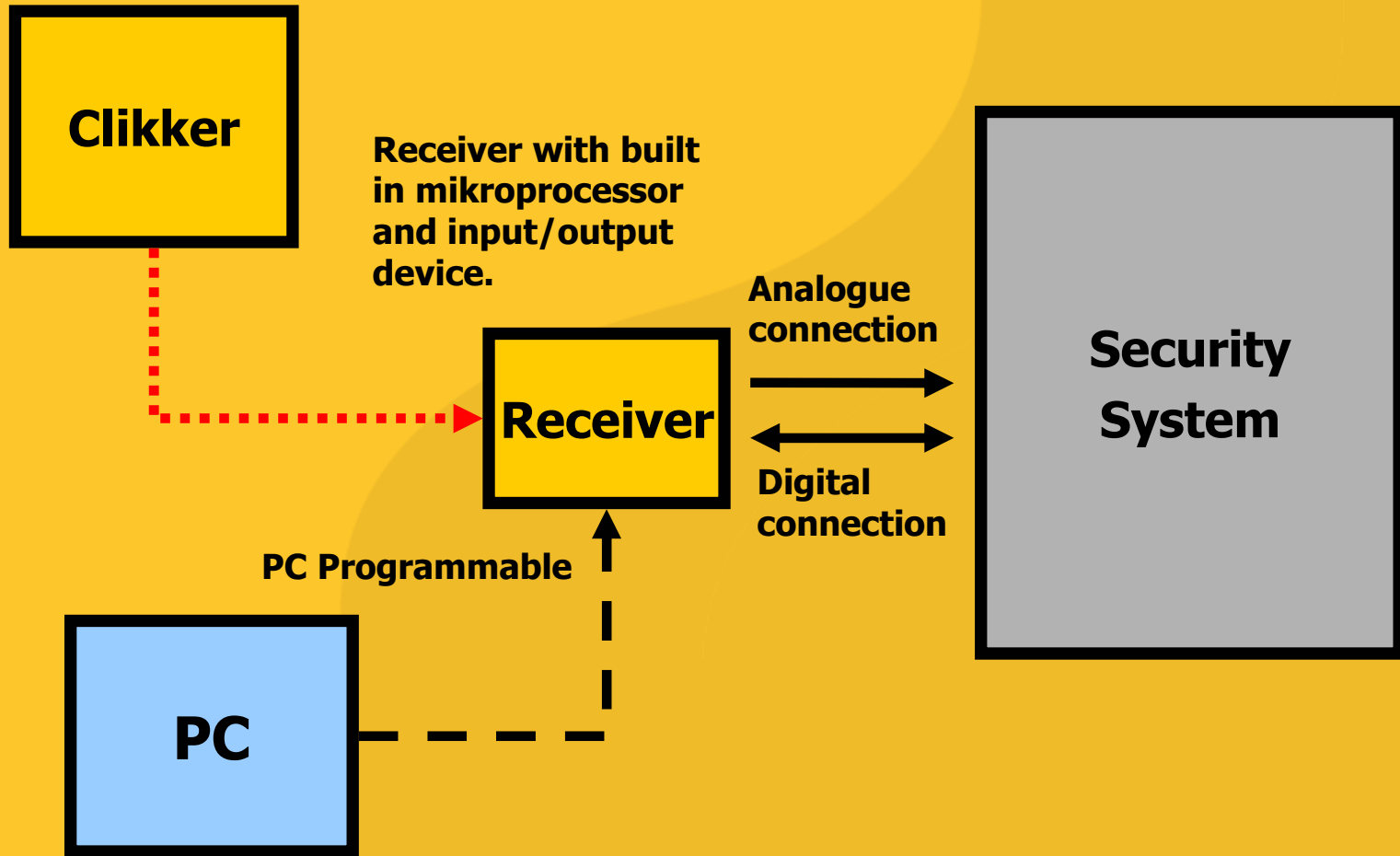
- **Weight: 20 g**
- **Battery Lifetime: 2 years**
- **IR protocol: Own**
- **Pricing: Around \$3 in volume**
- **4 meter reach**
- **Size: 10*20*3 mm**



IR – Sender with 30 billion unique serial numbers

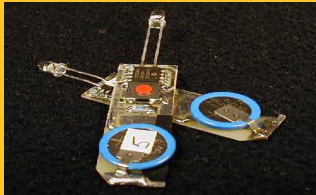
Clikker Security System

On-Line or Off-Line



**Klikker/
Receiver**

Technical Specification



Klikker

- Communication by IR-led
- Battery
- Unique 22 bit identity code
- Plastic shell with printable overlay for buttons



PC Receiver

- Connects to PC
- Connection via serial port
- Alternatively USB interface
- Software (driver) for Windows or Linux
- PC will interpret code and send output signal



Stand Alone Receiver

- Onboard microcontroller for reading the Klikker Code.
- Output port for analogue signalling
- Programmable from laptop PC
- Receiver with TCP/IP interface available in near future
- Other interfaces such as CAN possible

Clikker Security Competition

Magnetic card

- + inexpensive magnetic card
- relatively expensive reader
- sensitive to weather, dust, moisture, magnetic fields etc.

RF remote

- + 25 meter reach
- Low security level
- expensive in production

Smartcards

- + internal memory and processing, application possibilities
- expensive card
- expensive reader

RFID

- + inexpensive id-chip
- + no battery needed
- 0,2 m range

Clikker

- + Low cost
- + High security
- + 4 meter reach
- + Remote applications possible